

After Sales Technical Documentation

RAE/RAK-1N Series

Chapter 9

Service Tools

CONTENTS –Service Tools

	Page No
Introduction	9 – 3
BTD –1 (Dummy Test Battery)	9 – 5
BTD –1C (Dummy Test Battery – Car Kit)	9 – 6
AJS –1 (Assembly Jig)	9 – 7
PFH–1 (Hinge Flex Insertion Pliers)	9 – 8
PFS–1 (SIM Flex Insertion Pliers)	9 – 8
PFL–1 (LCD Flex Insertion Pliers)	9 – 8
PAS–1 (Modified Power Adapter)	9 – 9
HCR–1 (Carkit Jig)	9 – 9
MJS–1 (Module Jig)	9 – 10
ADS–1 (Audio cable)	9 – 11
SCF–6 (Modular power connector)	9 – 11
D9 – D25 RS232 Adapter	9 – 12
FPS–3 (Programmer)	9 – 12
DAU–2/2T (PC link adapter)	9 – 13
Modular T adapter	9 – 13
PKD–1 Dongle (software protection key)	9 – 13
XCM–1 (connector cable)	9 – 14
DLR–1 (RS232 –9000 cable)	9 – 14

Introduction

This chapter outlines the service tools and accessories required for the Nokia 9000 Communicator.

Table 1. Service Tools and Accessories

Name	Type code	Material code	Notes , reference to material list
Dummy Test Battery	BTD-1	0770071	Without actual battery and with sense lines
Module Jig	MJS-1	0770076	
Carkit Jig	HCR-1	0770074	
Carkit Dummy Test Battery	BTD-1C	0770072	
Assembly jig	AJS-1	0770075	
Hinge Flex Insertion Pliers	PFH-1	0770078	
SIM Flex Insertion Pliers	PFS-1	0770077	
LCD Flex Insertion Pliers	PFL-1	0770079	
Modified Power Adapter	PAS-1	0770073	Used to activate test mode on GP1
Modular power Connector	SCF-6	0770036	
RS232 cable	DLR-1	0730077	
Software Protection Key	PKD-1	0750018	
Flash Programming Set	FPS-3	0270074	For GE8 Flash download.
Audio cable	ADS-1	0730011	
PC link adapter	DAU-2	0750006	
Connector cable	XCM-1	4626131	
Module T adapter		4626134	
D9/D25 RS232 Adapter		4626170	
<i>The following tools are not illustrated</i>			
LCD Flex Insertion Tweezers	TWL-1	0770080	
IR – RS232 adapter	RTA-1		
JTAG Flash download Set	FDS-1		
Multi-Responder Flash downl.	RDS-1		
BNC/MINI-UHF adapter		0198551	
B2B Measurement adapter	RBM-1	0775068	
B2B Hinge flex measure adapter	RBM-2	0775069	

Table 2. Service Kit

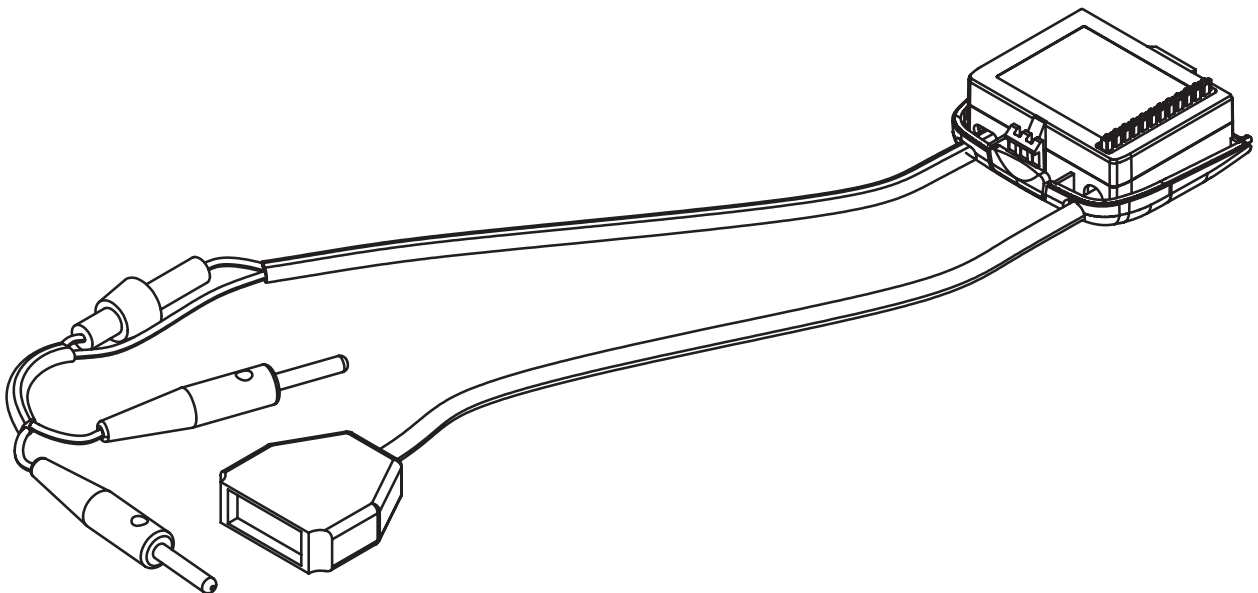
<i>9000 Service Kit</i>	<i>PFT-1K</i>	<i>0067041</i>	<i>Contents</i>	
			Hinge Flex Insertion Pliers	PFH-1
			SIM Flex Insertion Pliers	PFS-1
			LCD Flex Insertion Pliers	PFL-1
			LCD Flex Insertion Tweezers	TWL-1

Table 3. Service Software configurations

RAE-1N Software	Service	0774057	1 x 3"disk
	CMT MCU	0775063	1 x 3"disk
English	PDA MCU	0775064	2 x 3"disk
German	PDA MCU	0775065	2 x 3"disk
French	PDA MCU	0775066	2 x 3"disk
Scandinavian	PDA MCU	0775067	2 x 3"disk

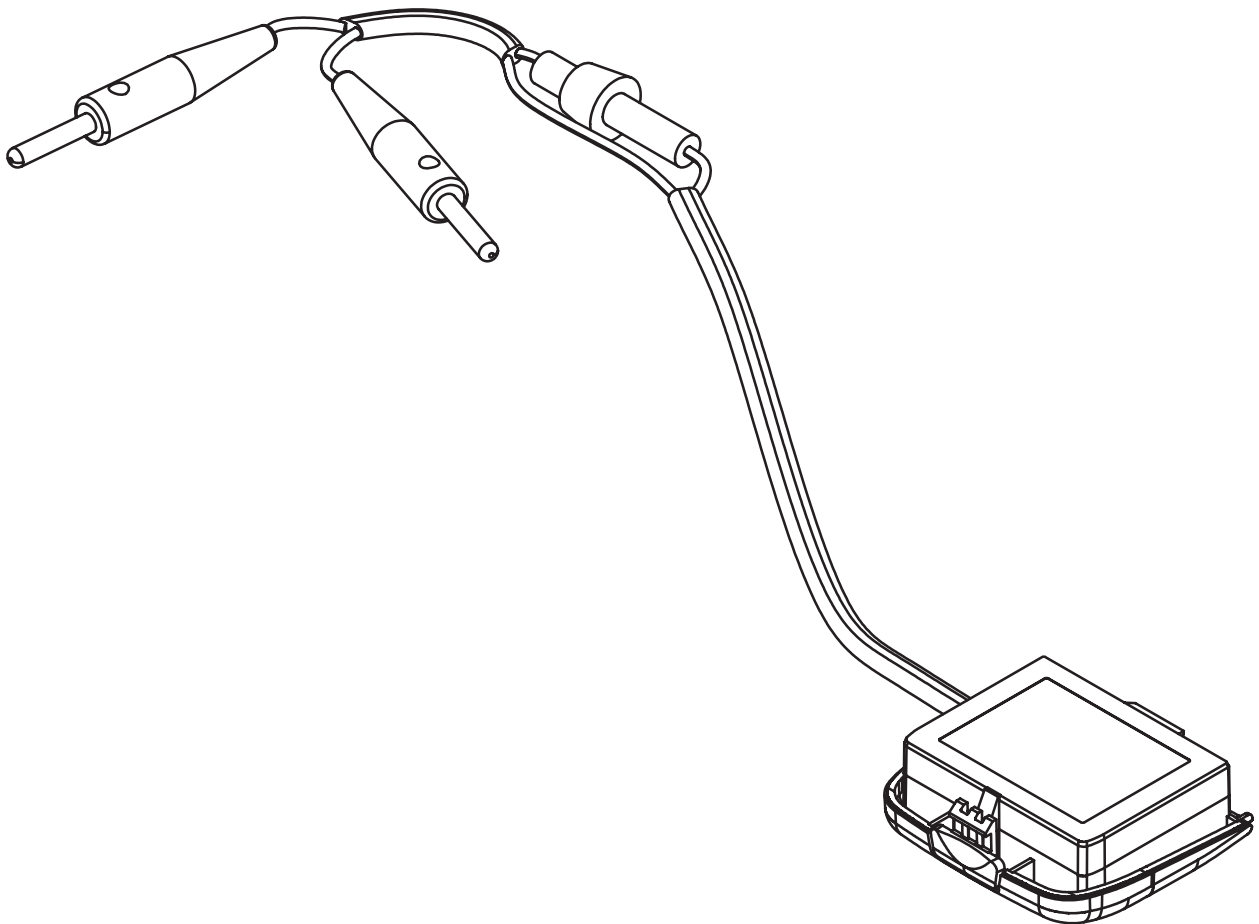
BTD -1 (Battery Test Dummy)

Material Code 0770071



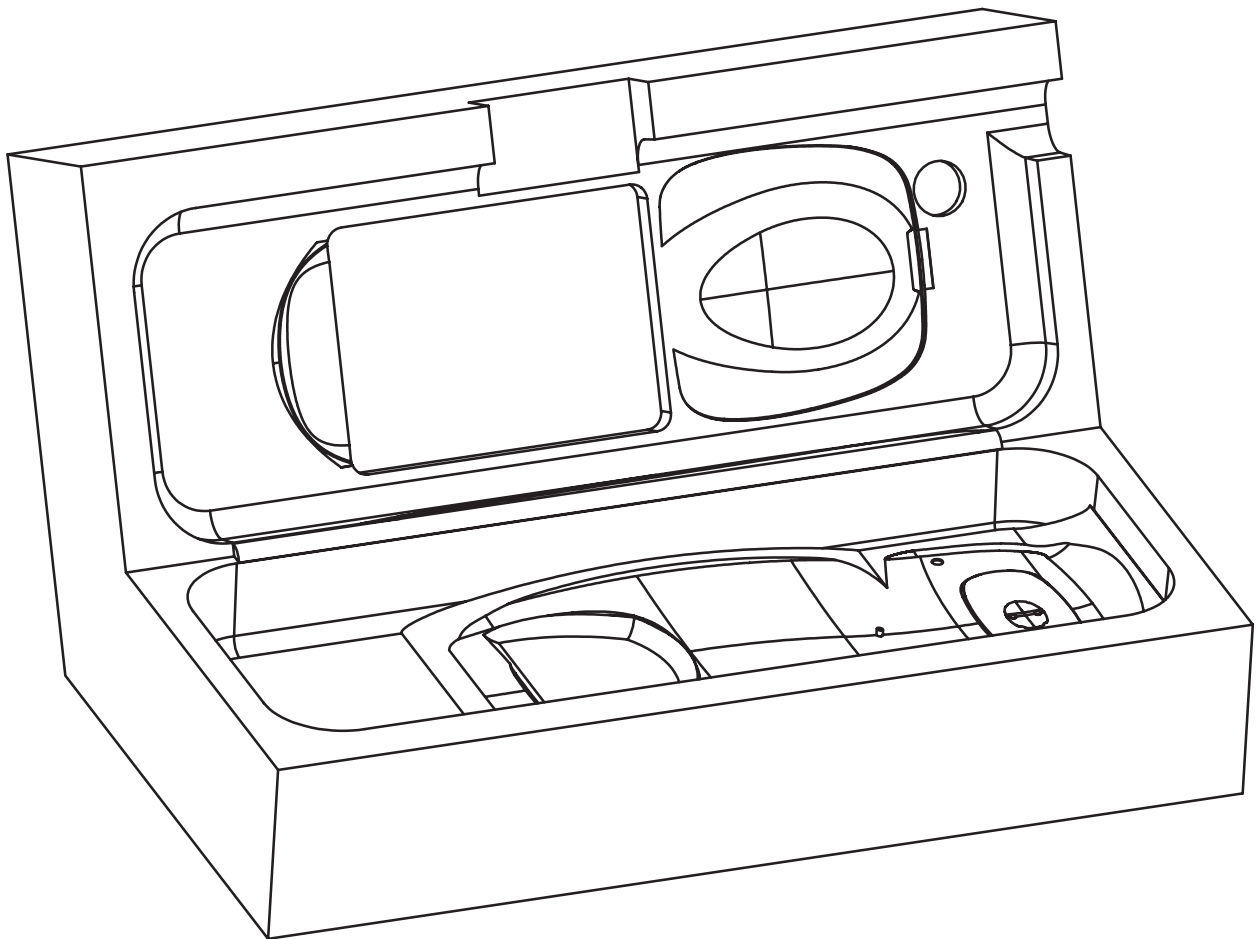
BTD -1C (Battery Test Dummy-Car kit)

Material Code: 0770072



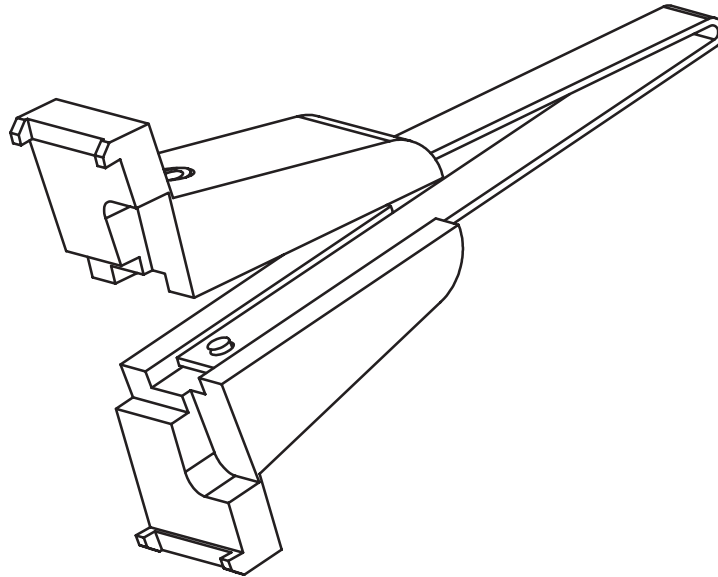
AJS-1 (Assembly Jig)

Material Code: 0770075

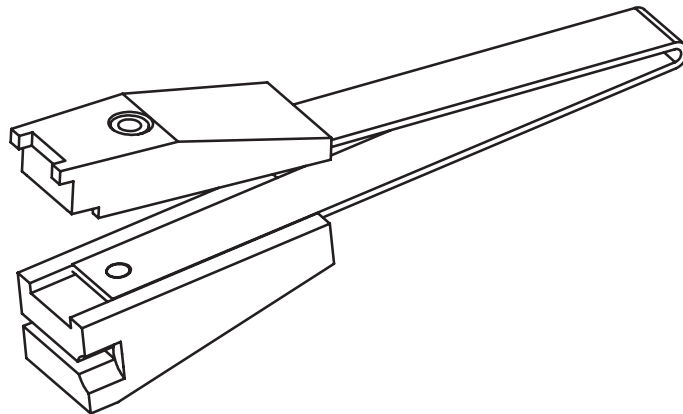


PFH-1 (Hinge Flex Insertion Pliers)

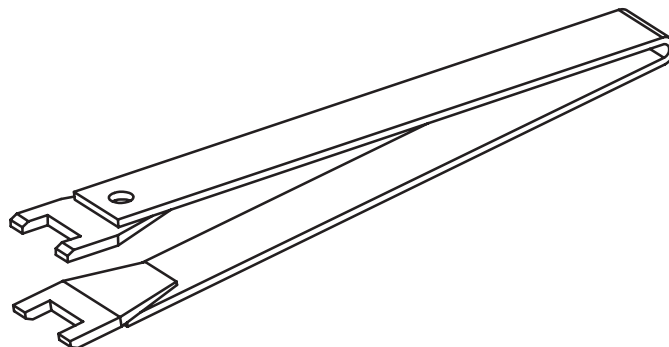
Material Code: 0770078

**PFS-1 (SIM Flex Insertion Pliers)**

Material Code: 0770077

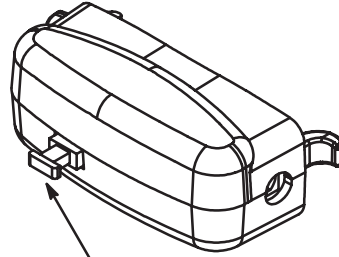
**PFL-1 (LCD Flex Insertion Pliers)**

Material Code: 0770079



PAS-1 (Modified Power Adapter)

Material Code: 0770073

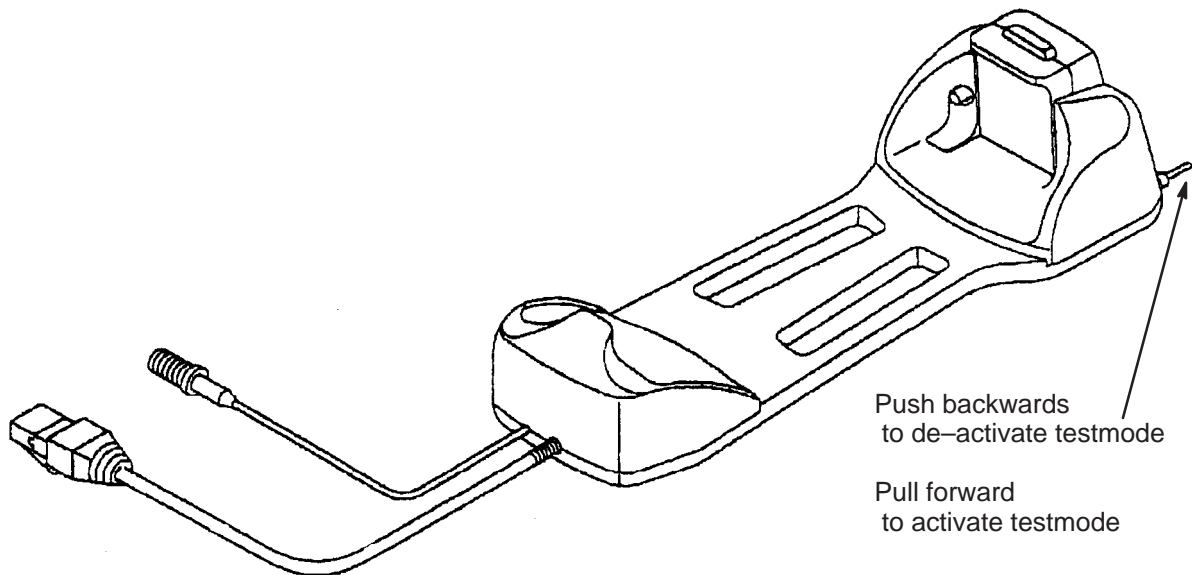


Push – to force CMT in Minimum mode.

Pull – to activate in normal mode

HCR-1 (Carkit Jig)

Material Code: 0770074

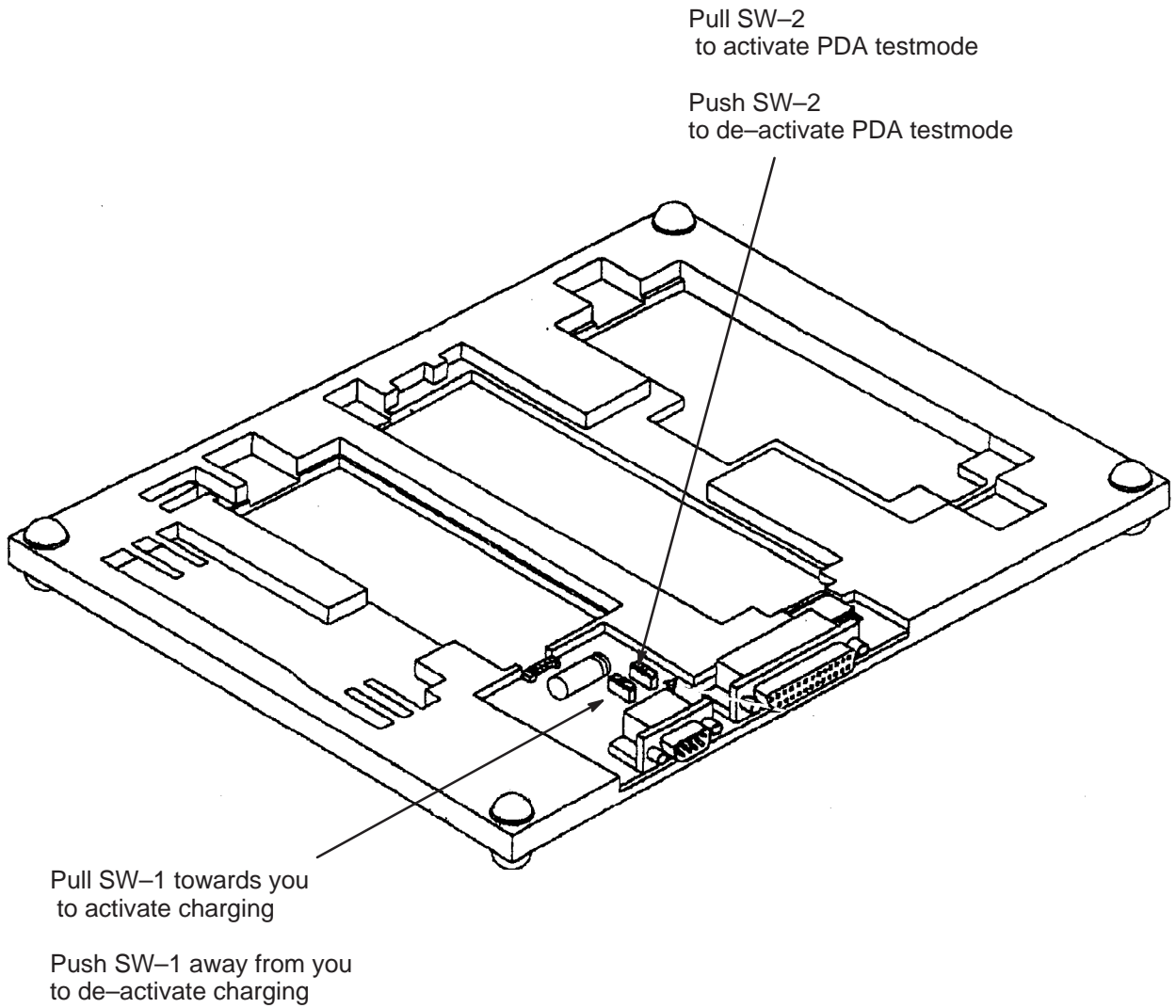


Push backwards
to de-activate testmode

Pull forward
to activate testmode

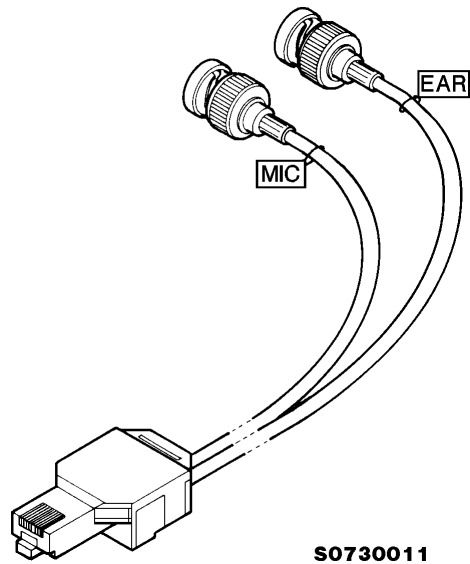
MJS-1 (Module Jig)

Material Code: 0770076



ADS-1 (Audio Cable)

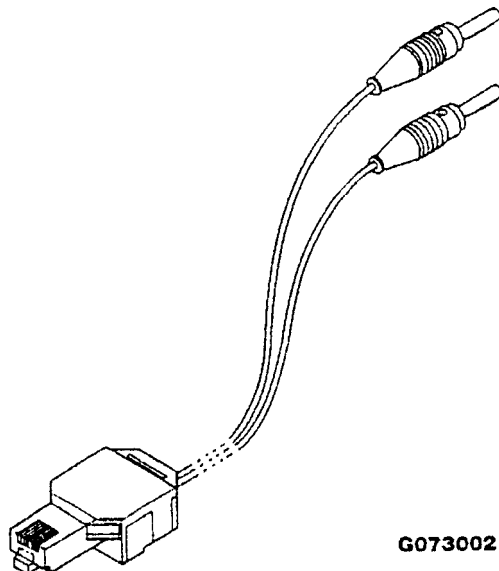
Material Code: 0730011



S0730011

SCF-6 (Modular Power Connector)

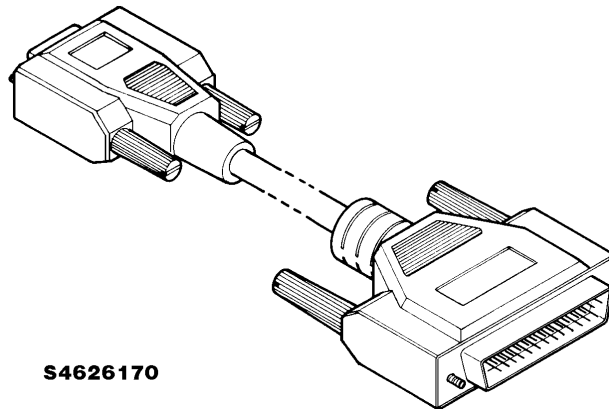
Material Code: 0770036



G0730021

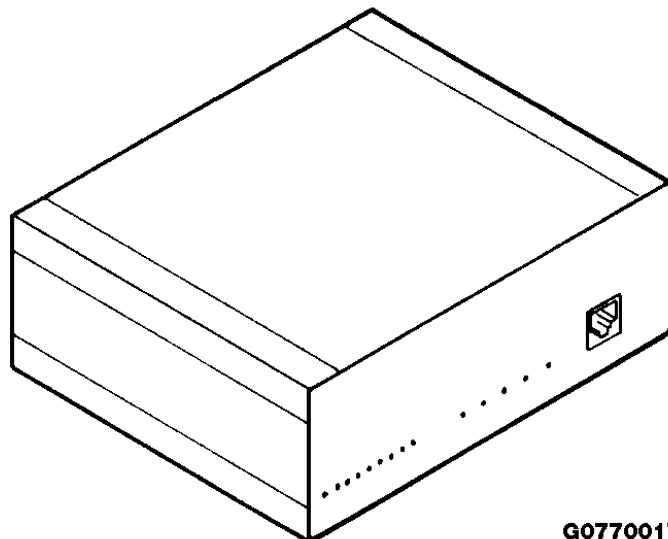
D9 – D25 RS232 Adapter

Material Code: 4626170



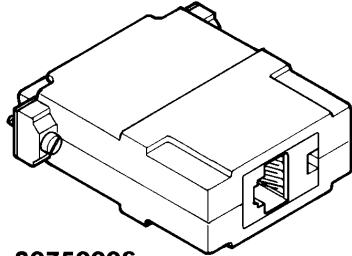
FPS-3 (Programmer)

Material Code: 0270074



DAU-2 /2T (PC Link Adapter)

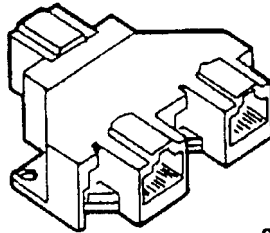
Material Code: 0750006



S0750006

Modular T adapter (Branch Connector)

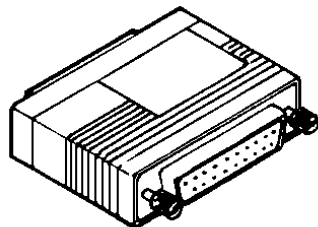
Material Code: 4626134



S4626134

PKD-1 Dongle (Software Protection Key)

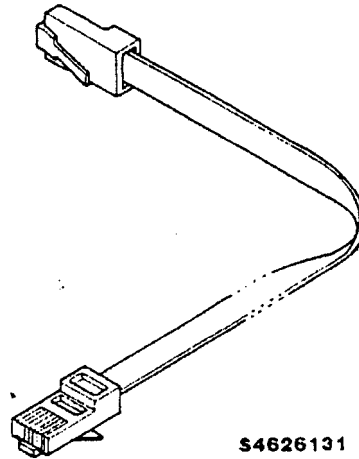
Material Code: 0750018



G0750018

XCM-1 (Connector Cable)

Material Code: 4626131



DLR-1 (RS232 – 9000 Connector)

Material Code: 0730077

